

COGCC: Produced Water

Program Information
to
Water Resources and Agriculture Review
Committee Team

August 4, 2022



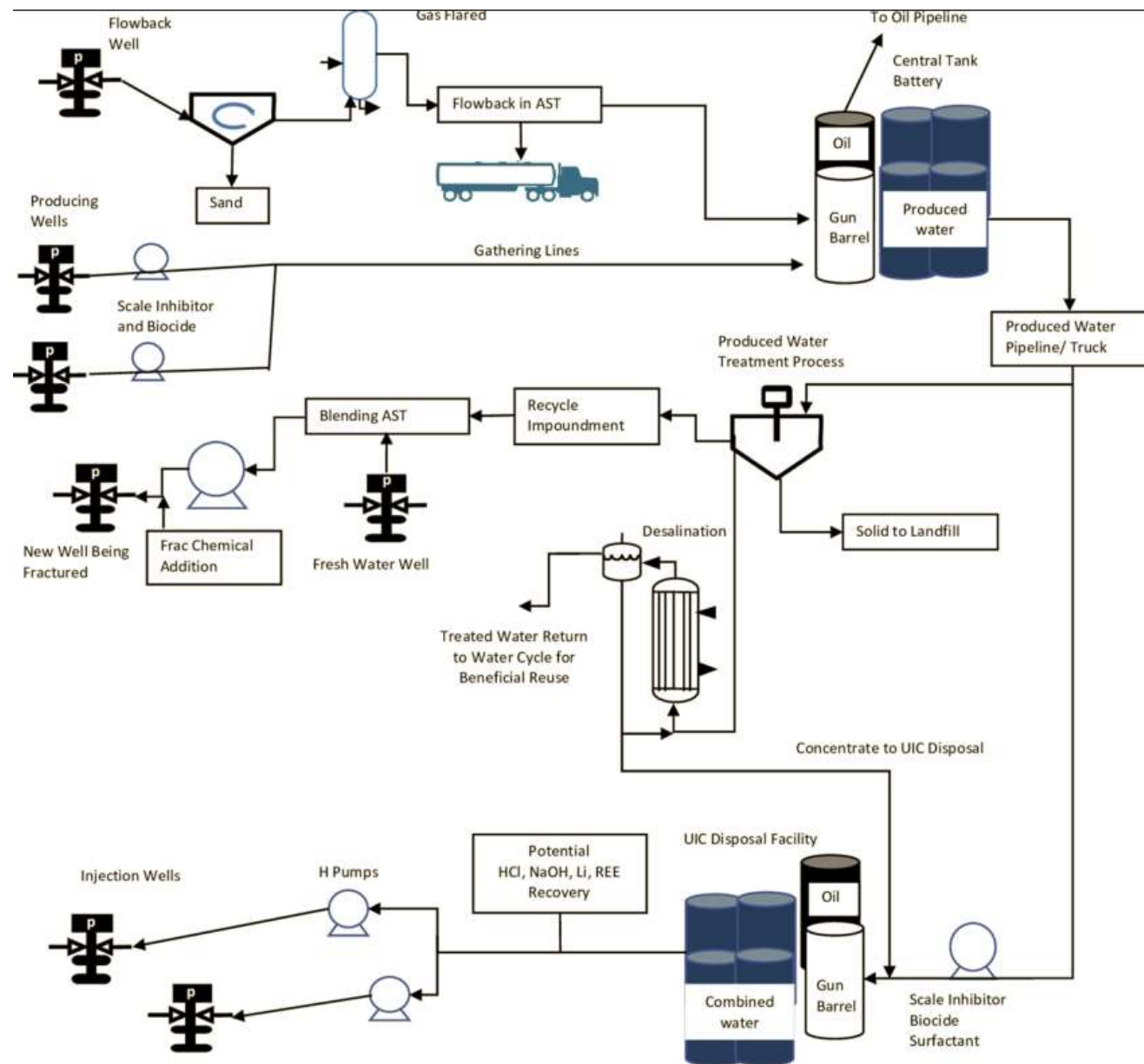
COLORADO
Oil & Gas Conservation
Commission

Department of Natural Resources

Greg Deranleau
Environmental Manager

Produced Water as E&P Waste

- Produced water not defined by COGCC Rules or Oil and Gas Conservation Act (The Act)
- Exploration and Production (E&P) Waste is defined by COGCC Rules and The Act
- E&P Waste Management



https://www.researchgate.net/publication/348518619_A_Critical_Review_of_Analytical_Methods_for_Comprehensive_Characterization_of_Produced_Water/citation/download



Reuse & Recycling in Oil & Gas

Uses

- Additional well development:
- Drilling (only after surface casing)
- Hydraulic fracture stimulation

Production and Disposal Volumes:

- Produced statewide 280,570,000
- Injected for disposal 158,779,000
 - Injected for EOR 87,244,000
- Discharge to surface 13,476,000
 - Pit 10,000
- Recycled in O/G 19,606,000

2015.08.04 16:42 (2021, in barrels)



Prior Efforts & Challenges

Past Informal Efforts:

- Initiated by 3rd party groups
- Ownership questions
- Legal concerns
 - Waste by pedigree
 - Liability of ownership
- Treatment technology cost prohibition

2015.10.22 10:15



Questions?

greg.deranleau@state.co.us



COLORADO

Oil & Gas Conservation
Commission

Department of Natural Resources